



Engineering Design Office
Ensure your environment quality For a better Future

Why should I use Micro-Pile foundation ?

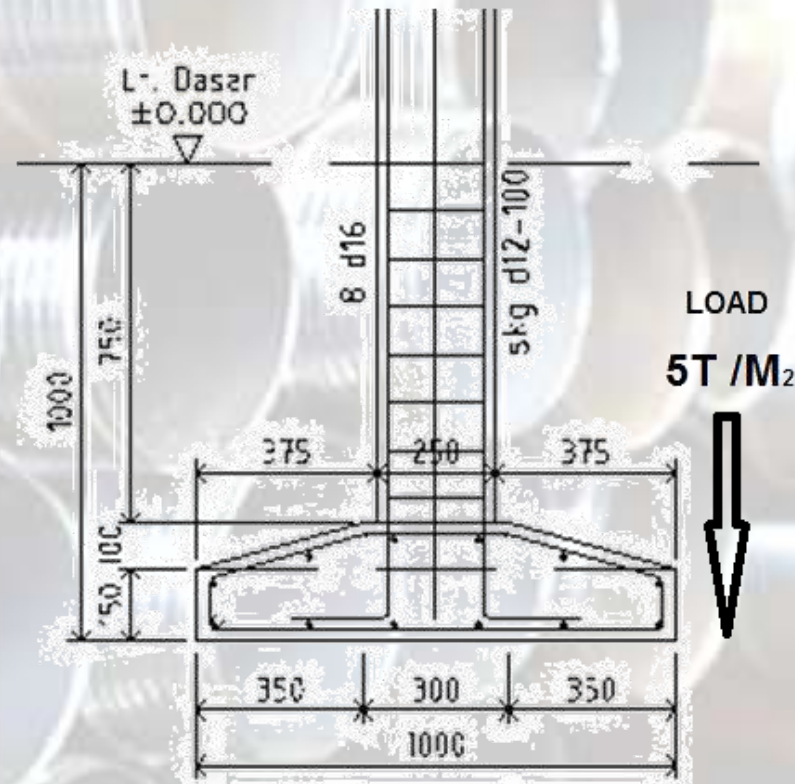
- ✓ More efficient
- ✓ Adapted to any soil
- ✓ Quick realization
- ✓ Cheaper



Engineering Design Office

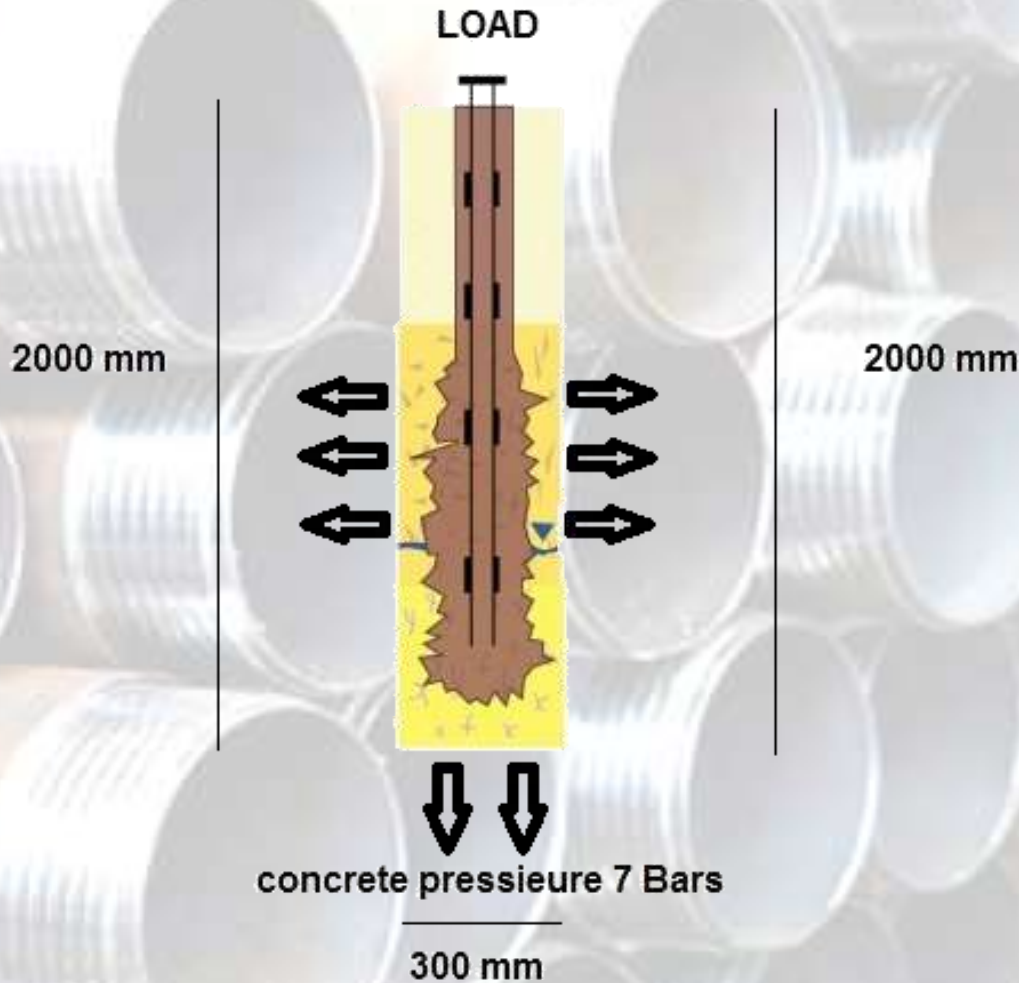
Ensure your environment quality For a better Future

- The load resistance for a micro pile at the same deepness is increased by 3 compare to the traditional “Cakar ayam”





More efficient



The Load is now applied at all circumference as well as the "head" of the micro pile. We are at this point getting a Load resistance equal to a 3m² plate footing foundation for a 7" injected micro pile.

The micro pile is so more Load resistant but also shearing resistant as well as highly tearing resistant.



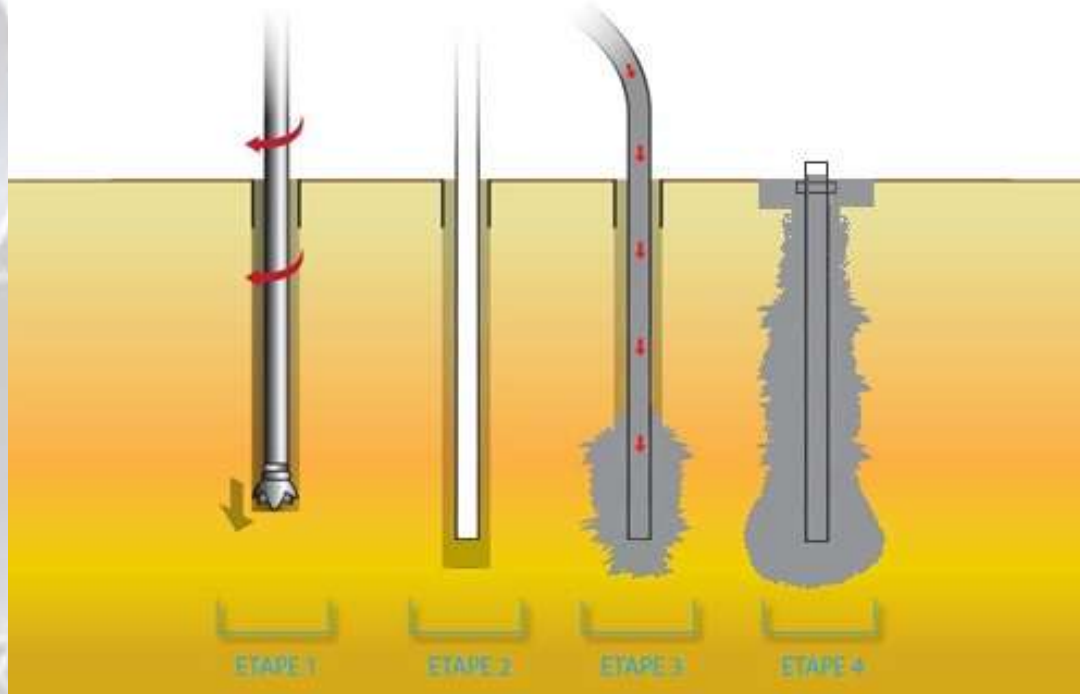
Adapted to any soil

- Considering the possibility to pour our micro pile at any deepness, the high Load, shearing and tearing resistance, micro-pile foundation are adapted to any kind of soil.
- We are also avoiding big soil digging volume and evacuation and by the way significantly reducing your foundation DELAY realization and COST.



Quick realization

Sol digging at the first step until to reach the wished Load resistance per cm²



Pouring finalization including pile cap in order to allow the sill plate insertion

Insertion of iron tube reinforcement at the second step

Concrete injection until to obtain the wished pressure at third



Quick realization

- It will take us only 2 full hours to realize a complete Micro-Pile
- You will not have to dig big volume of soil anymore
- No more soil evacuation from excavations
- No more stone foundation
- Directly pour your sill plate on the soil or suspend your construction for crawl space



Particular land shape



Our mechanical equipment technology injecting grout under 60 bars, is allowing us to work anywhere and realize non destructive foundations.



Particular land shape

- The architect has decided to use our foundations to suspend his construction and keep the natural shape of the land





Full concrete construction foundation sit

Ground beams will
directly be inserted and
poured on the piles cap.





Full concrete construction foundation sit





No more Cracks in pools





By the sea





By the sea

- Iron pole insertion
20 m deep, after
Drilling process





By the sea





By the sea





Special Use





Special Use

A high power line foot supporting a load of 32 T of iron from the pillar and more than 300 T in weight and traction due to the high power Line itself





Special Use





OTHER USE



- When cracks are appearing on your walls
- Understanding basement foundations are moving probably due to a lack of deepness and strata liquefaction



OTHER USE

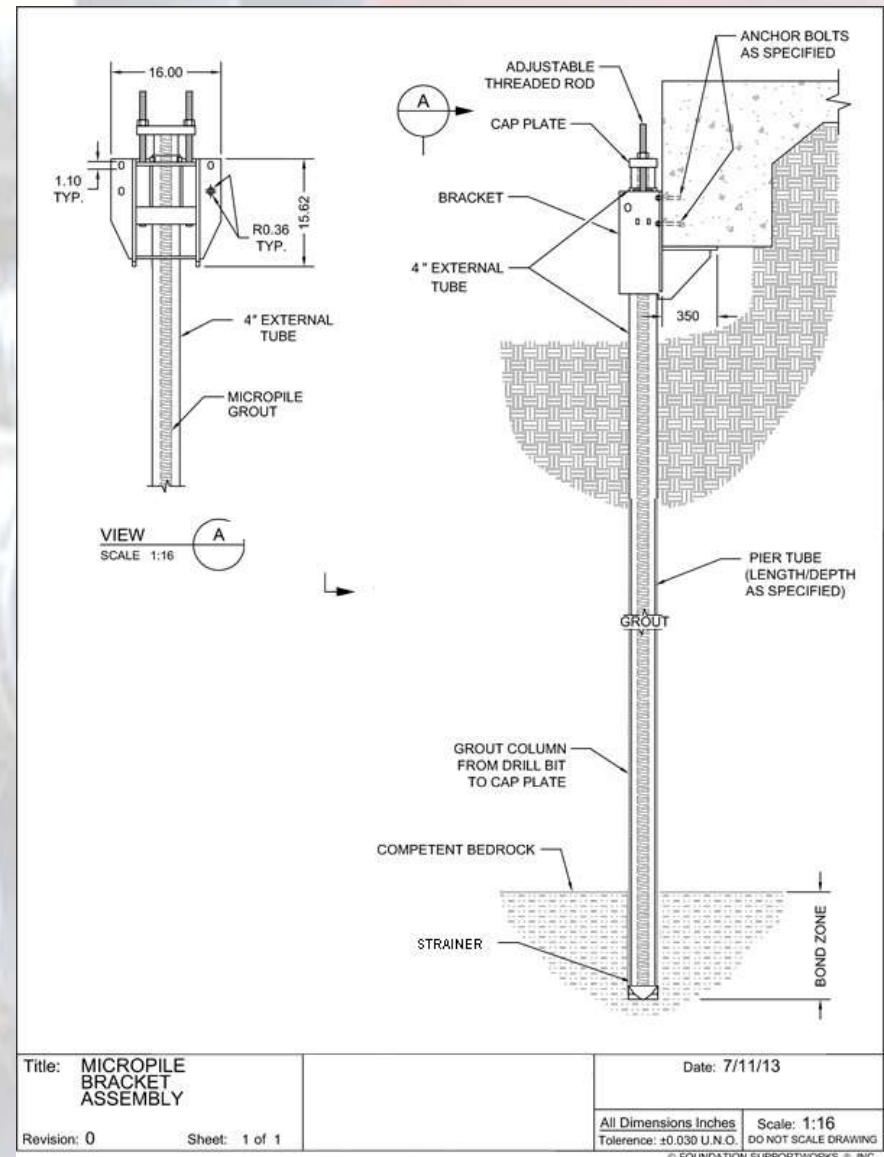
- Injected micro piles are not only used as new foundations
- But also as building reinforcement and stop the building collapsing





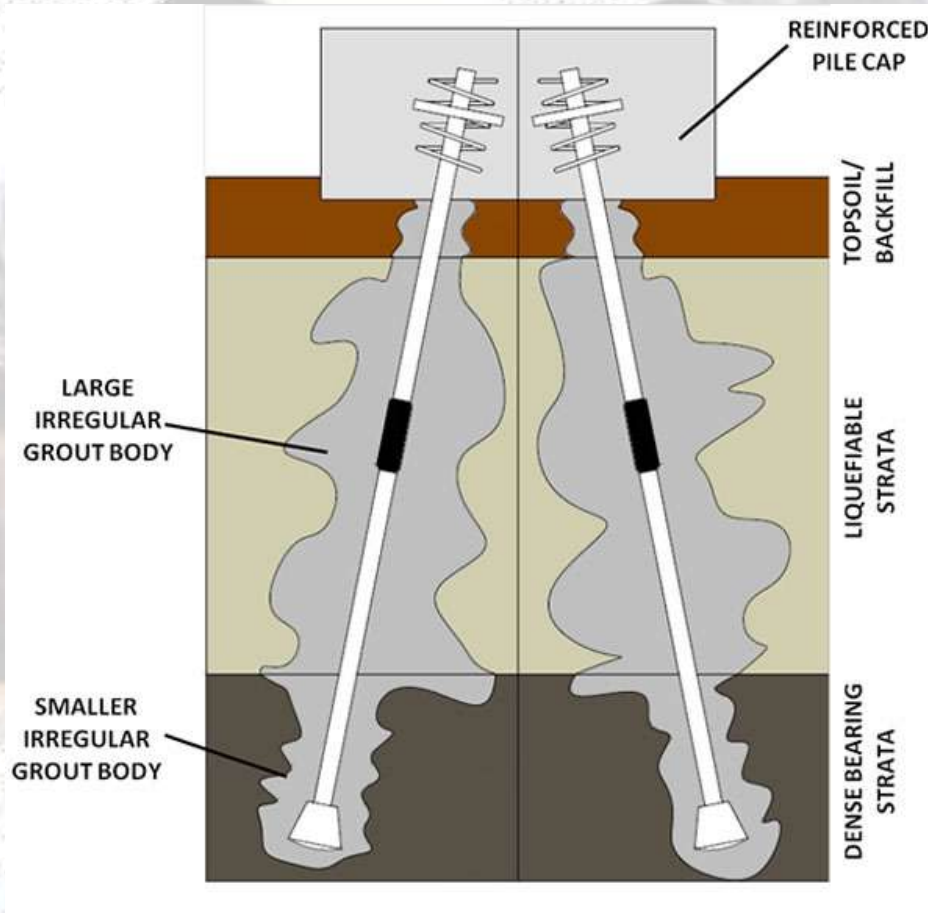
Schematic technic

- Our technology is now allowing to repair buildings instead to destroy and rebuild, reducing operational cost.
- This technology is allowing to repair and stabilize soil by our injected grout





Micro pile efficiency



- The particularity of our injected micro piles as it is injected under pressure, it will fill in every cracks, cavities and reinforce every liquefiable Strata



Conclusion on micro pile technologies

- Stronger construction
- Increase the earthquake resistance
- Decrease your time realization
- Decrease your global cost realization on foundation
- Insure the stability of your Building and Land